



Options

- Other connection threads
- Special pipe for high temperatures and working pressures
- Material: Monel
- 1.4571 stainless steel, oil and grease-free for oxygen service
- 3.1 / 3.2 material test certificate
- Pipe connectors for pressure measuring instruments

Project

Syphons per DIN 16282 U-form, form B, and trumpet form, form D, have a welding connection for the pressure tapping on the process side and a threaded connection on the instrument side.

In the industrial standard versions, threaded connections are also available for the pressure tapping on the process side.

U-form syphons are intended for horizontal pressure tapping; trumpet-form syphons are intended for vertical pressure tapping.

Inside the syphon, condensate is collected, which prevents the ingress of hot media into the measuring instrument. We recommend filling the syphon with a cooling separating liquid before commissioning the pressure line.

Features and Applications

- Designs per DIN 16282 or to industrial standards
- Permissible temperatures to 400 °C
- Nominal pressures to 160 bar
- Materials: Steel (1.0039, 1.0345) and stainless steel (1.4571)
- Syphons protect pressure measuring instruments from pulsations in the medium and from excessive heating
- Cooling element for fluids, gases and vapours in pressure measurement
- For direct mounting to the pressure connection of the pressure measuring instrument or to the shut-off device (stopcock or valve) mounted underneath

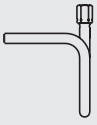

Operating Limits

Material of wetted parts	Permissible operating temperature up to °C	Max. working pressure ¹⁾ in bar
Steel 1.0039, 1.0345	120	160
	300	120
	400	104
Stainless steel 1.4571	120	160
	300	140
	400	131

1) With some industrial standard syphons the maximum working pressure is limited to 25 bar, see table on page 3

Versions per DIN 16282

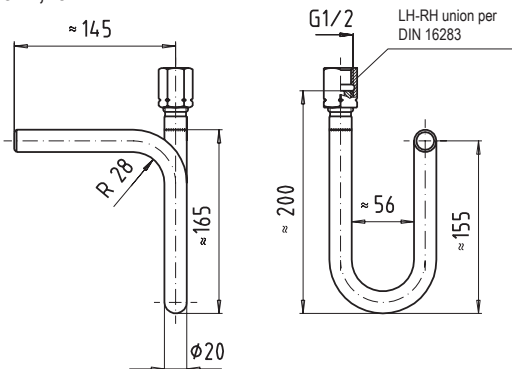
With welding connection on the pressure tapping side

Design	Material of wetted parts	Order number
U-form, form B Outlet ²⁾ : LH/RH union G ½ 	1.0345	9091190
	1.0345 with 3.1	2057876
	1.4571	1323270
	1.4571 with 3.1	2194023
Trumpet form, form D Outlet ²⁾ : LH/RH union G ½ 	1.0345	9091211
	1.0345 with 3.1	1614940
	1.4571	1440497
	1.4571 with 3.1	1614924

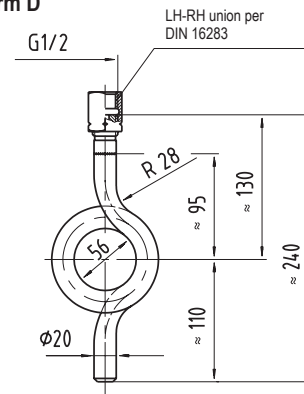
2) Instrument side

Dimensions in mm

U-form, form B

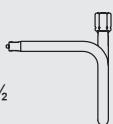



Trumpet form, form D



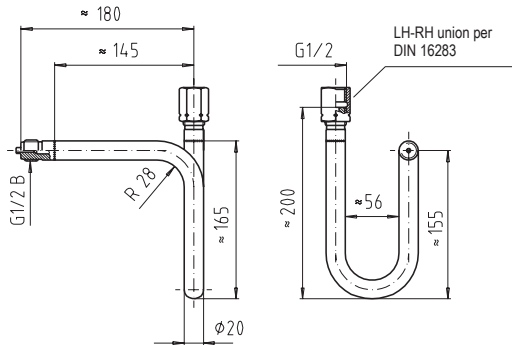
Industrial standard designs (similar to DIN 16282)

With G ½ B threaded connection on the pressure tapping side

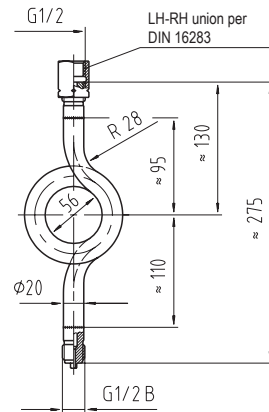
Design	Material of wetted parts	Order number
U-form Outlet ²⁾ : LH/RH union G ½ 	1.0345	9091181
	1.0345 with 3.1	on request
	1.4571	9091220
	1.4571 with 3.1	2057841
Trumpet form Outlet ²⁾ : LH/RH union G ½ 	1.0345	9091203
	1.0345 with 3.1	2329039
	1.4571	9091238
	1.4571 with 3.1	1323997
	1.4571 with 3.1 NACE	2105449

Dimensions in mm

U-form



Trumpet form



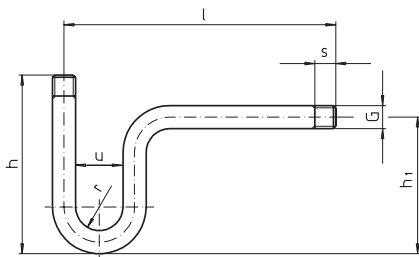
Industrial standard designs

Design	Con - nection thread G	Max. working pressure	Material of wet ted parts	Dimensions in mm						Order number
				D	h	h ₁	l	u	s	
U-form Inlet ¹⁾ and Outlet ²⁾ : Male thread	G ¼ B ⁴⁾	25 bar	1.0039	-	170	130	225	60	13	9090649
	G ½ B ⁴⁾	25 bar	1.0345	-	170	130	225	56	20	9090657
U-form Inlet ¹⁾ : G ½ B Outlet ²⁾ : LH/RH union G ½	G ½ B ⁴⁾	25 bar	1.0345	-	205	130	225	56	20	9090665
	G ½ B ⁵⁾	s. Tabelle S.1	1.0345	-	200	130	225	56	20	9090673
U-form Inlet ¹⁾ : without thread ³⁾ Outlet ²⁾ : LH/RH union G ½	G ½ B	s. Tabelle S.1	1.0345	-	200	130	-	56	-	9090681
Trumpet form Inlet ¹⁾ and Outlet ²⁾ : Male thread	G ¼ B ⁴⁾	25 bar	1.0039	60	240	120	-	-	13	9090592
	G ½ B ⁴⁾	25 bar	1.0345	56	230	115	-	-	20	9090606

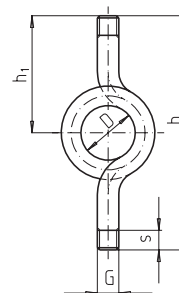
- 1) Process side
- 2) Instrument side
- 3) Prepared for welding
- 4) Thread machined directly onto pipe
- 5) Welded pressure connection

Dimensions in mm

U-form



Trumpet form

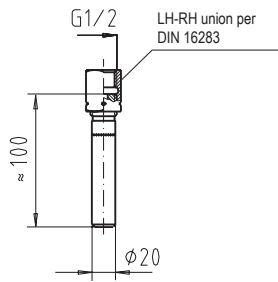


Pipe connectors for pressure measuring instruments

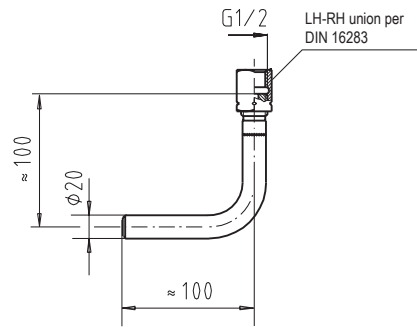
Welding connection on the pressure tapping side (outlet

²⁾: LH/RH union G 1/2

Straight form



Angled form



Design	Material of wetted parts	Order number
Straight Form	1.0345	2243679
	1.4571	2112892

Design	Material of wetted parts	Order number
Angled form	1.0345	2243687
	1.4571	2003612

Ordering information

To order the described product, the order number is sufficient. Other options require additional specification.

www.bermo.com.br

Matriz
Blumenau-SC
47 2123-4444
bermo@bermo.com.br

Filiais
Chapecó-SC
49 3322-2177
bermocco@bermo.com.br

Curitiba-PR
41 2111-4344
bermocwb@bermo.com.br

Joinville-SC
47 3435-3635
bermojvl@bermo.com.br

Rio Grande do Sul
51 3464-5159
bermopoa@bermo.com.br

Salvador-BA
71 3512-4488
bermossa@bermo.com.br

São Paulo-SP
11 2505-1500
bermosp@bermo.com.br