



Project

Vacuum breaker in complete stainless steel construction. It is best suited on steam inlets to heat exchangers, jacketed kettles, liquid process lines, chilled water lines, boiler feed water lines and air coils, to admit air whenever vacuum condition is developed in the system.

Features

Works like a check valve and allows air to enter the steam or liquid system, however, steam or liquid escape is shut off.

PVB10 is designed to allow air into condensing steam or liquid systems where creation of a vacuum would inhibit liquid drainage and decrease system performance and efficiency.

Sizes: System connection: NPS 1/2

Air inlet connection: NPS 1/4, 3/8, 1/2

Connections: Screwed (NPT/BSPT/BSP)

Installation

The vacuum breaker should be installed in a vertical position with the cap at top and should be placed at the highest point in the system. An isolation valve should be fitted prior to vacuum breaker to facilitate servicing.

Maintenance

After the vacuum breaker is isolated from the system, unscrew the top cap & examine for any wear/tear & debris on ball or seat and valve which could cause breakage of system pressure. Clean and refit. With the exception of possible cleaning, this device is maintenance-free. Vacuum breakers are not repairable on-line.

Limiting Conditions

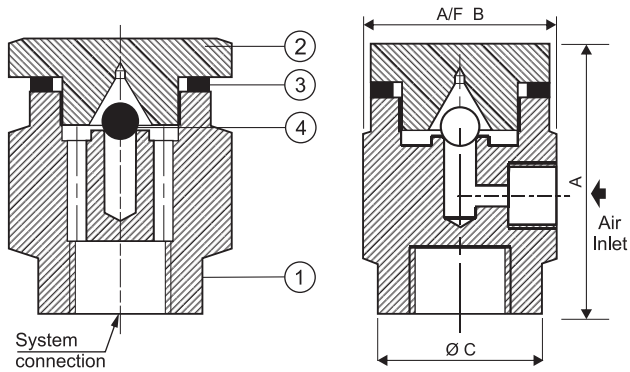
PMA: Max. allowable pressure	300 psig
TMA: Max. allowable temp.	850 °F
Minimum vacuum required for opening	0.07 psig (2" of H ₂ O)
Cold hydro test pressure	600 psig

Material

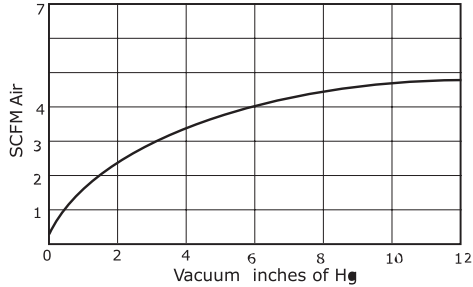
NO.	PART	MATERIAL	QTY. (Nos.)
1.	BODY	AISI 304	1
2.	CAP	AISI 304	1
3.	GASKET	COPPER	1
4.	BALL	AISI 304	1

Nominal in inches

SIZE	A	B	C	Wt.
1/2" X 1/4"	2.16	1.45	1.20	0.825 lbs
1/2" X 3/8"	2.36	1.45	1.26	0.888 lbs
1/2" X 1/2"	2.75	1.93	1.26	1.210 lbs



Air Handling Capacities



www.bermo.com.br

Matriz
Blumenau-SC
47 2123-4444
bermo@bermo.com.br

Filiais
Chapecó-SC
49 3322-2177
bermocco@bermo.com.br

Curitiba-PR
41 2111-4344
bermocwb@bermo.com.br

Joinville-SC
47 3435-3635
bermojvl@bermo.com.br

Rio Grande do Sul
51 3464-5159
bermopoa@bermo.com.br

Salvador-BA
71 3512-4488
bermossa@bermo.com.br

São Paulo-SP
11 2505-1500
bermosp@bermo.com.br