



Project

PG71 sight glasses are designed to check the flow of cooling water, lubricants, air, steam, etc. in a pipe line.

They may also be used to check the functioning of steam traps. This simple device is also an effective back-flow preventer. Suitable for horizontal installation.

USE: Water, oil, steam, air and other non- corrosive media.

SIZES: NPS 1/2, 3/4, 1

CONNECTIONS: Screwed (NPT/BSPT/BSP)

Instalation

The sight glass should be installed in a horizontal pipe line with the glass at the top. Enough space should be left open above the glass to facilitate checking of the flow/ operation. In cases where the device is fitted to check the operation of a steam trap, it should be fitted at a distance of 5 to 6 feet downstream of the traps.

Availiable Spares

Set of Glass, Ball, Gaskets.

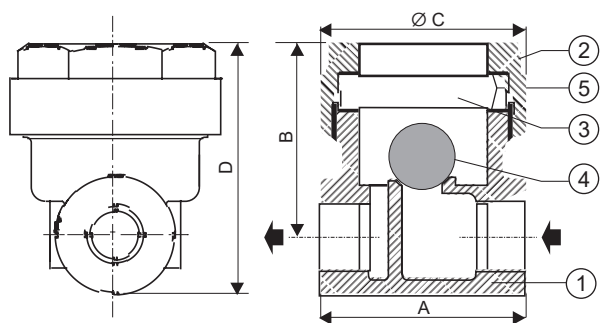
Dimensions

Nominal in inches

SIZE	A	B	C	D	Wt.
1/2"	3.30	2.80	3.00	3.62	3.1 lbs
3/4"	3.30	2.80	3.00	3.62	3.1 lbs
1"	3.30	3.00	3.00	4.00	3.5 lbs

Limiting Conditions

Maximum allowable pressure	228 psig
Maximum allowable temperature	400 °F
Cold hydro test pressure	350 psig



Material

NO.	PART	MATERIAL	QTY.
1.	BODY	CAST IRON	01
2.	COVER	CAST IRON	01
3.	GLASS	TOUGHENEDBOROSILICATE	01
4.	BALL	PTFE	01
5.	GASKETS	NON CAF	02

Discharge Capacity IN lbs/hr (For hot condensate)

MODEL/ SIZE	DIFFERENTIAL PRESSURE (psi)																
	3.5	15	28.5	42.5	57	70	85	100	115	128	145	157	170	185	200	213	228
PG71 - 1/2"	2320	2618	3025	3430	3828	4235	4620	5038	5445	5840	6248	6645	7040	7460	7855	8260	8660
PG71 - 3/4"	3190	3575	4090	4620	5140	5655	6160	6700	7215	7733	8260	8780	9295	9810	10340	10855	11375
PG71 - 1"	3345	3830	4445	5105	5740	6350	7020	7655	8295	8930	9580	10240	10855	11495	12135	12770	13410
PG71 - 1 1/2", 2"	5830	6710	7975	9305	10705	11680	12970	13880	15665	17270	18040	18700	19120	19490	19900	22220	22615

www.bermo.com.br

Matriz
Blumenau-SC
47 2123-4444
bermo@bermo.com.br

Filiais
Chapecó-SC
49 3322-2177
bermocco@bermo.com.br

Curitiba-PR
41 2111-4344
bermocwb@bermo.com.br

Joinville-SC
47 3435-3635
bermojvl@bermo.com.br

Rio Grande do Sul
51 3464-5159
bermopoa@bermo.com.br

Salvador-BA
71 3512-4488
bermossa@bermo.com.br

São Paulo-SP
11 2505-1500
bermosp@bermo.com.br