



VET

Descrição / Características

Estrutura tubular desenvolvida com maior número de parafusos, proporcionando maior segurança a vazamentos externos aumentando a robustez da válvula.

Dotada de guias de apoio para alojamento dos parafusos, o que proporciona maior resistência, eliminando empenamento das tampas.

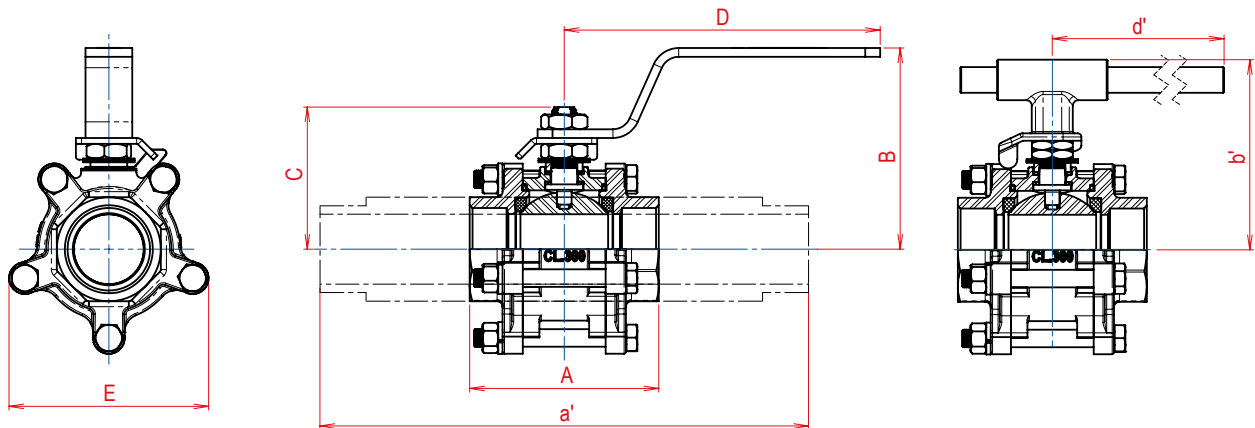
Válvula tripartida com exclusivo sistema de vedações enclausuradas que aumenta a resistência das sedes de vedação, melhorando o desempenho da válvula.

Acionamento manual por alavanca com ou sem trava para cadeado ou lacre, disponível também com acionamento por atuador pneumático, elétrico ou caixa de redução.

Normas de Referência

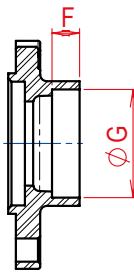
Construção: ASME B 16.34 | ISO 17292
API 608

Testes: API 598 | ISO 5208

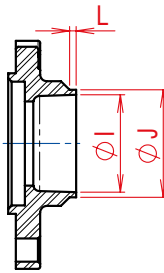


TIPOS DE CONEXÕES

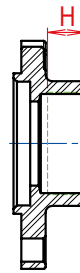
ENCAIXE DE SOLDA SW



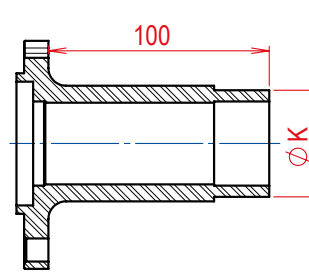
PONTA P/ SOLDA DE TOPO



ROSCA BSP OU NPT



NIPLE ESTENDIDO (Face Plana)



VÁLVULA DE ESFERA TRIPARTIDA PASSAGEM REDUZIDA (PR)																				
BITOLA		PASS.	A*	a'	B	b'	C	D	d'	E	F	G	H	I	J	K	L	N.º DE PARAF.	PESO kg	Coeficiente de Fluxo Kv (m³/h)
POL.	DN																			
1/2"	15	11,1	55,0	-	44,0	-	39,5	125,0	-	44,5	9,5	22,0	12,0	15,8	21,8	-	2,0	4	0,433	5,0
3/4"	20	14,0	64,0	-	46,5	76,0	41,5	125,0	225,0	48,5	12,5	27,4	14,0	20,9	27,1	-	2,0	4	0,546	9,8
1"	25	20,4	73,0	-	78,2	87,0	55,4	165,0	225,0	57,0	12,5	34,1	15,0	26,4	33,8	-	2,0	4	0,920	18,7
1.1/4"	32	25,4	84,0	-	82,0	90,5	59,0	165,0	225,0	83,0	12,5	42,9	16,0	35,0	42,6	-	2,0	5	1,360	42,0
1.1/2"	40	31,7	93,7	-	102,0	98,5	72,5	182,0	225,0	93,0	12,5	49,0	18,0	41,0	48,7	-	2,0	5	2,155	72,0
2"	50	38,0	108,7	-	109,0	103,0	77,0	182,0	225,0	108,2	16,0	61,4	20,0	52,5	61,4	-	3,0	5	2,855	107,0
2.1/2"	65	50,8	130,4	-	126,0	112,5	86,0	255,0	225,0	130,5	16,0	74,1	25,0	62,7	73,8	-	3,0	6	4,710	185,0
3"	80	63,0	160,2	-	146,0	147,5	114,0	267,0	415,0	153,0	16,0	90,1	26,0	78,0	90,1	-	3,0	6	8,015	305,0
4"	100	76,0	178,0	-	154,4	163,0	126,7	335,0	490,0	177,0	19,0	115,4	34,0	106,5	115,5	-	3,0	6	11,450	1050,0

VÁLVULA DE ESFERA TRIPARTIDA PASSAGEM PLENA (PP)																				
BITOLA		PASS.	A*	a'	B	b'	C	D	d'	E	F	G	H	I	J	K	L	N.º DE PARAF.	PESO kg	Coeficiente de Fluxo Kv (m³/h)
POL.	DN																			
1/4"	8	11,1	51,0	-	44,0	-	39,5	125,0	-	44,5	9,5	14,4	11,0	11,1	14,0	-	2,0	4	0,425	5,0
3/8"	10	11,1	51,0	-	44,0	-	39,5	125,0	-	44,5	9,5	17,8	11,0	14,5	17,6	-	2,0	4	0,421	5,0
1/2"	15	14,0	60,0	239,0	46,5	76,0	41,5	125,0	225,0	48,5	9,5	22,0	12,0	18,0	21,8	21,3	2,0	4	0,508	9,8
3/4"	20	20,4	70,0	247,0	78,2	87,0	55,4	165,0	225,0	57,0	12,5	27,4	15,0	23,0	27,1	26,7	2,0	4	0,866	18,7
1"	25	25,4	82,0	252,5	82,0	90,5	59,0	165,0	225,0	83,0	12,5	34,1	16,0	29,6	33,8	33,4	2,0	5	1,310	42,0
1.1/4"	32	31,7	90,7	262,7	102,0	98,5	72,5	182,0	225,0	93,0	12,5	42,9	18,0	38,0	42,6	42,2	2,0	5	2,079	72,0
1.1/2"	40	38,0	102,7	267,0	109,0	103,0	77,0	182,0	225,0	108,2	12,5	49,0	19,0	44,1	48,7	48,3	3,0	5	2,717	107,0
2"	50	50,8	120,1	279,0	126,0	112,5	86,0	255,0	225,0	130,5	16,0	61,4	22,0	56,2	61,4	60,3	3,0	6	4,258	185,0
2.1/2"	65	63,0	152,4	-	146,0	147,5	114,0	267,0	415,0	153,0	16,0	74,1	27,5	70,0	73,8	-	3,0	6	7,593	305,0
3"	80	76,0	169,4	-	154,4	163,0	126,7	335,0	490,0	177,0	16,0	90,1	29,0	84,0	90,1	-	3,0	6	10,110	1050,0
4"	100	101,6	209,0	-	182,0	185,0	-	-	490,0	210,0	19,0	115,4	35,0	112,5	115,5	-	3,0	8	21,900	1980,0

A vazão apresentada em Kv (m³/h) corresponde a um diferencial de pressão (Δp) de 1 bar utilizando água como fluido de teste.

• Sob consulta, disponível com esfera oca.

As válvulas de 4" PP nas configurações "AC" e "TI" e, a válvula de 3" PP na configuração "TI", com acionamento manual estão disponíveis somente por tubo.

* Para conexão BW, medidas sob consulta.

www.bermo.com.br

Matriz
Blumenau-SC
47 2123-4444
bermo@bermo.com.br

Filiais
Chapecó-SC
49 3322-2177
bermocco@bermo.com.br

Curitiba-PR
41 2111-4344
bermocwb@bermo.com.br

Joinville-SC
47 3435-3635
bermojvl@bermo.com.br

Rio Grande do Sul
51 3464-5159
bermopoa@bermo.com.br

Salvador-BA
71 3512-4488
bermossa@bermo.com.br

São Paulo-SP
11 2505-1500
bermosp@bermo.com.br