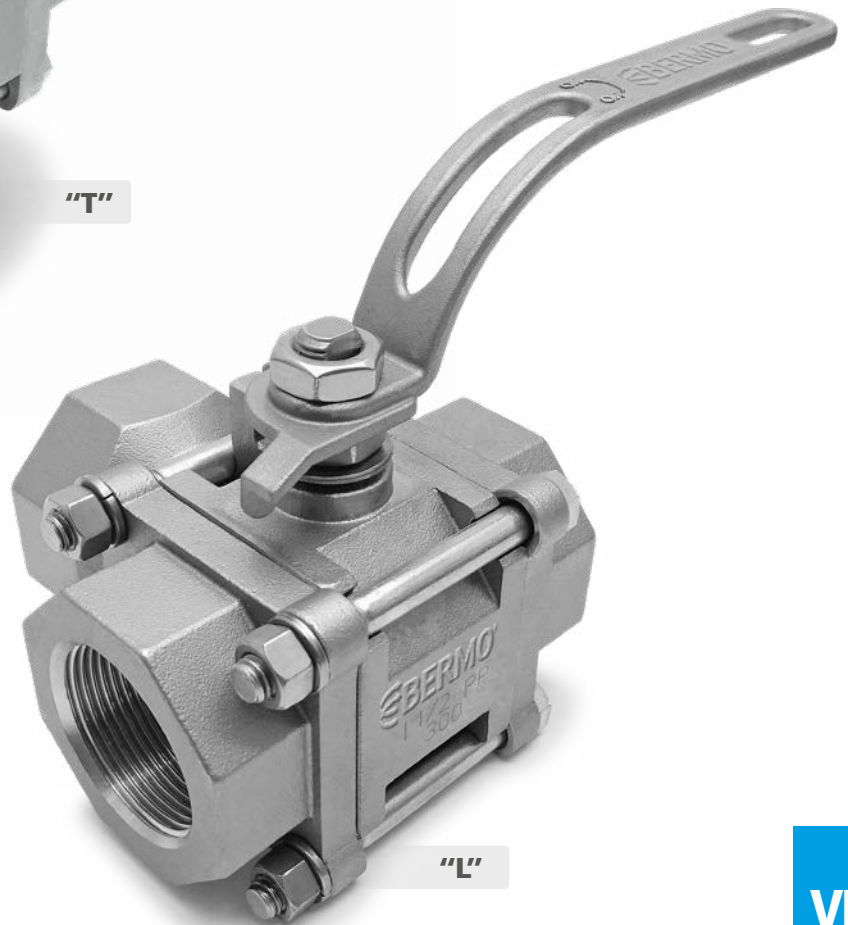




"T"



"L"

Descrição / Características

Válvula direcional de fluxo Classe 150, "T" disposta de uma entrada inferior e duas saídas, "L" disposta de uma entrada lateral e duas saídas utilizadas para desviar alternadamente o fluxo.

Construção tripartida (um corpo e duas tampas), facilitando a manutenção sem a necessidade de desconectar as extremidades da linha.

Haste à prova de expulsão.

Disponível na construção com dupla vedação, o que proporciona maior segurança quando utilizadas em linha de vapor.

Não indicada como válvula para bloqueio de fluxo.

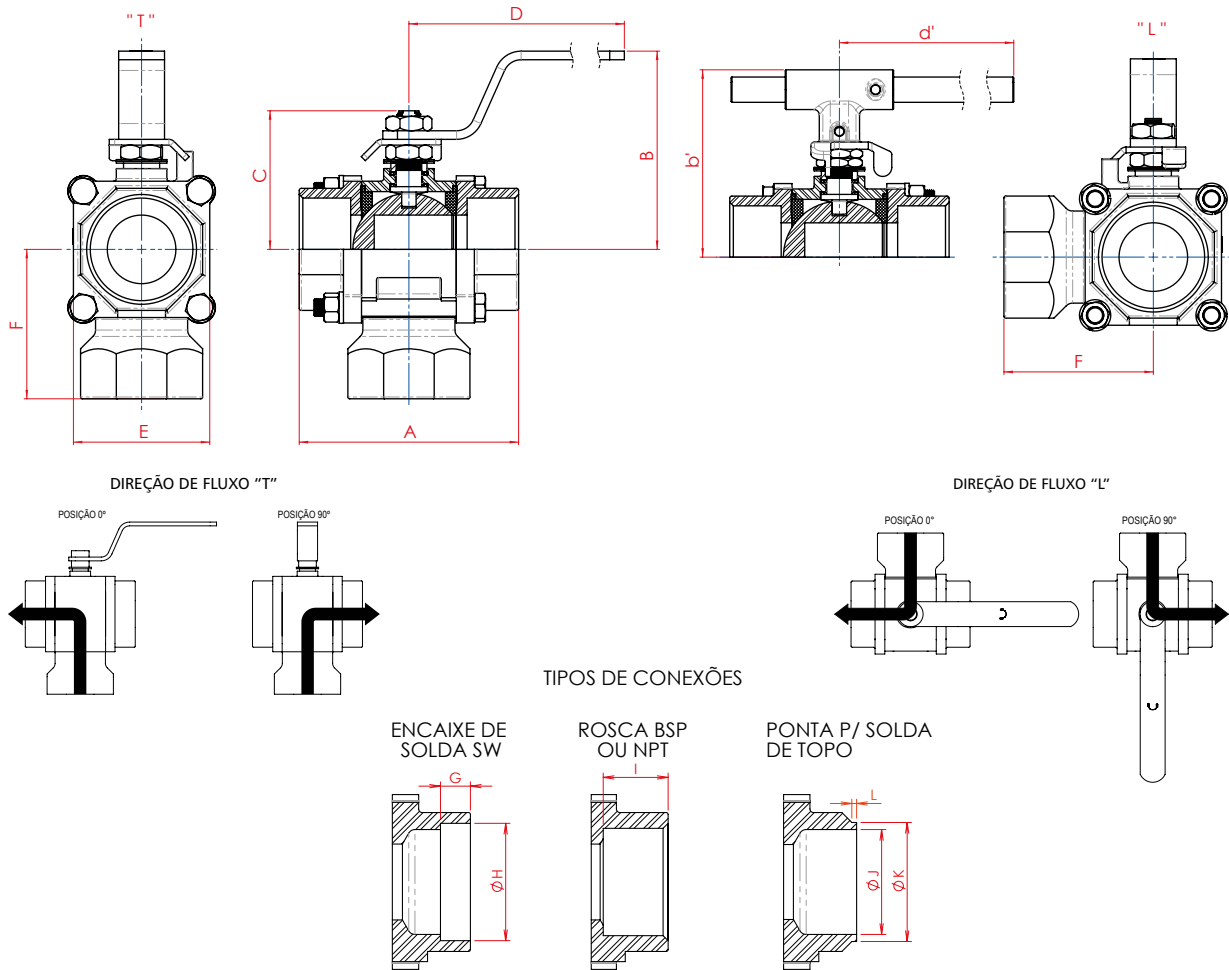
Acionamento manual por alavanca com ou sem trava para cadeado ou lacre, disponível também com acionamento por atuador pneumático, elétrico ou caixa de redução.

Dados Técnicos

Normas de Referência

Construção: **ASME B 16.34 | ISO 17292**
API 608

Testes: **API 598 | ISO 5208**



VÁLVULA DE ESFERA DIRECIONAL PASSAGEM REDUZIDA (PR)																	
BITOLA		PASS.	A*	B	b'	C	D	d'	E	F	G	H	I	J	K	L	PESO kg
POL.	DN																
1/2"	15	11,1	62,0	46,0	73,5	39,0	125,0	225,0	43,5	47,0	9,5	21,8	17,0	15,8	21,8	2,0	0,562
3/4"	20	14,0	71,6	48,0	75,0	41,0	125,0	225,0	48,0	51,8	12,5	27,1	17,0	20,9	27,1	2,0	0,699
1"	25	20,4	88,6	82,0	87,0	51,0	165,0	225,0	57,0	56,4	12,5	33,8	23,0	26,4	33,8	2,0	1,200
1.1/4"	32	25,4	101,0	86,0	90,5	60,0	165,0	225,0	64,0	67,0	12,5	42,6	23,0	35,0	42,6	2,0	1,552
1.1/2"	40	31,7	111,7	110,0	98,5	73,0	170,0	225,0	73,0	71,7	12,5	48,7	28,0	41,0	48,7	3,0	2,468
2"	50	38,0	121,5	113,0	103,0	77,0	170,0	225,0	81,5	82,8	16,0	61,0	28,0	52,5	61,0	3,0	3,204
2.1/2"	65	50,8	138,8	125,0	112,5	86,0	256,0	225,0	94,0	101,0	16,0	73,8	28,0	62,7	73,8	3,0	5,030
3"	80	63,0	176,5	145,0	147,5	116,0	267,0	415,0	116,0	121,8	16,0	90,1	37,0	78,1	90,1	3,0	8,870

VÁLVULA DE ESFERA DIRECIONAL PASSAGEM PLENA (PP)																	
BITOLA		PASS.	A*	B	b'	C	D	d'	E	F	G	H	I	J	K	L	PESO kg
POL.	DN																
1/4"	8	11,1	62,0	46,0	73,5	39,0	125,0	225,0	43,5	47,0	9,5	14,0	11,0	9,3	14,0	2,0	0,584
3/8"	10	11,1	62,0	46,0	75,0	39,0	125,0	225,0	43,5	47,0	9,5	17,6	11,0	12,3	17,6	2,0	0,575
1/2"	15	14,0	71,5	48,0	75,0	41,0	125,0	225,0	48,0	51,8	9,5	21,8	17,0	15,8	21,8	2,0	0,731
3/4"	20	20,4	88,6	82,0	87,0	51,0	165,0	225,0	57,0	56,4	12,5	27,1	17,0	20,9	27,1	2,0	1,248
1"	25	25,4	101,0	86,0	90,5	60,0	165,0	225,0	64,0	67,0	12,5	33,8	23,0	26,4	33,8	2,0	1,557
1.1/4"	32	31,7	111,7	110,0	98,5	73,0	170,0	225,0	73,0	71,7	12,5	42,6	23,0	35,0	42,6	2,0	2,540
1.1/2"	40	38,0	121,5	113,0	103,0	77,0	170,0	225,0	81,5	82,8	12,5	48,7	28,0	41,0	48,7	3,0	3,431
2"	50	50,8	138,8	125,0	112,5	86,0	256,0	225,0	94,0	101,0	16,0	61,0	28,0	52,5	61,0	3,0	5,390
2.1/2"	65	63,0	176,5	145,0	147,5	116,0	267,0	415,0	116,0	121,8	16,0	73,8	28,0	62,7	73,8	3,0	9,320

* Para conexão BW, medidas sob consulta.

www.bermo.com.br

Matriz
Blumenau-SC
47 2123-4444
bermo@bermo.com.br

Filiais
Chapecó-SC
49 3322-2177
bermocco@bermo.com.br

Curitiba-PR
41 2111-4344
bermocwb@bermo.com.br

Joinville-SC
47 3435-3635
bermojvl@bermo.com.br

Rio Grande do Sul
51 3464-5159
bermopoa@bermo.com.br

Salvador-BA
71 3512-4488
bermossa@bermo.com.br

São Paulo-SP
11 2505-1500
bermosp@bermo.com.br