



VET

Descrição / Características

Válvula de bloqueio de fluxo Classe 300 indicada para utilização em diversos líquidos, gases e vapores em ampla faixa de temperatura e pressão conforme norma ASME B16.34.

Construção tripartida (um corpo e duas tampas), facilitando a manutenção sem a necessidade de desconectar as extremidades da linha.

Haste à prova de expulsão.

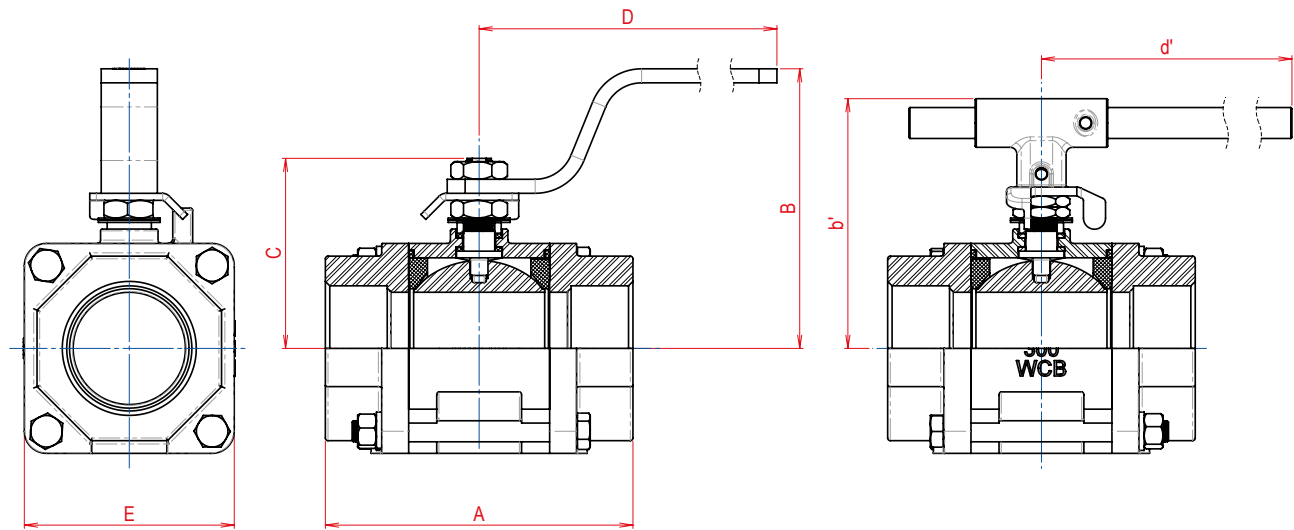
Disponível na construção com dupla vedação, o que proporciona maior segurança quando utilizadas em linha de vapor.

Acionamento manual por alavanca com ou sem trava para cadeado ou lacre, disponível também com acionamento por atuador pneumático, elétrico ou caixa de redução.

Normas de Referência

Construção: ASME B 16.34 | ISO 17292
API 608

Testes: API 598 | ISO 5208

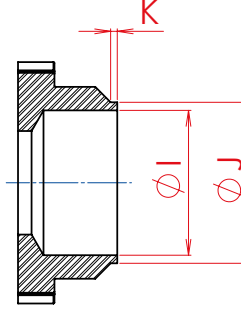
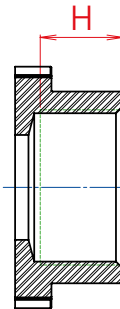
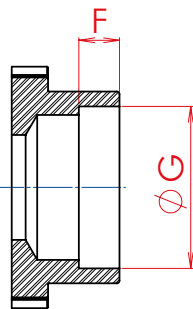


TIPOS DE CONEXÕES

ENCAIXE DE SOLDA SW

ROSCA BSP OU NPT

PONTA P/ SOLDA DE TOPO



VÁLVULA DE ESFERA TRIPARTIDA PASSAGEM REDUZIDA (PR)																	
BITOLA		PASS.	A*	B	b'	C	D	d'	E	F	G	H	I	J	K	PESO kg	Coeficiente de Fluxo Kv (m³/h)
POL.	DN																
1/2"	15	11,1	62,0	46,0	73,5	39,0	125,0	225,0	43,5	9,5	21,8	17,0	15,8	21,8	2,0	0,49	5,0
3/4"	20	14,0	71,6	48,0	75,0	41,0	125,0	225,0	48,0	12,5	27,1	17,0	20,9	27,1	2,0	0,61	9,8
1"	25	20,4	88,6	82,0	87,0	51,0	165,0	225,0	57,0	12,5	33,8	23,0	26,4	33,8	2,0	1,05	18,7
1.1/4"	32	25,4	101,0	86,0	90,5	60,0	165,0	225,0	64,0	12,5	42,6	23,0	35,0	42,6	2,0	1,40	42,0
1.1/2"	40	31,7	111,7	110,0	98,5	73,0	170,0	225,0	73,0	12,5	48,7	28,0	41,0	48,7	3,0	2,20	72,0
2"	50	38,0	121,5	113,0	103,0	77,0	170,0	225,0	81,5	16,0	61,0	28,0	52,5	61,0	3,0	2,90	107,0
2.1/2"	65	50,8	138,8	125,0	112,5	86,0	256,0	225,0	94,0	16,0	73,8	28,0	62,7	73,8	3,0	4,65	185,0
3"	80	63,0	176,5	145,0	147,5	116,0	267,0	415,0	116,0	16,0	90,1	37,0	78,1	90,1	3,0	8,70	305,0

VÁLVULA DE ESFERA TRIPARTIDA PASSAGEM PLENA (PP)																	
BITOLA		PASS.	A*	B	b'	C	D	d'	E	F	G	H	I	J	K	PESO kg	Coeficiente de Fluxo Kv (m³/h)
POL.	DN																
1/4"	8	11,1	62,0	46,0	73,5	39,0	125,0	225,0	44,0	9,5	14,0	11,0	9,3	14,0	2,0	0,54	5,0
3/8"	10	11,1	62,0	46,0	75,0	39,0	125,0	225,0	44,0	9,5	17,6	11,0	12,3	17,6	2,0	0,52	5,0
1/2"	15	14,0	71,5	48,0	75,0	41,0	125,0	225,0	48,0	9,5	21,8	17,0	15,8	21,8	2,0	0,65	14,6
3/4"	20	20,4	88,6	82,0	87,0	51,0	165,0	225,0	57,0	12,5	27,1	17,0	20,9	27,1	2,0	1,13	27,8
1"	25	25,4	101,0	86,0	90,5	60,0	165,0	225,0	64,0	12,5	33,8	23,0	26,4	33,8	2,0	1,60	56,5
1.1/4"	32	31,7	111,7	110,0	98,5	73,0	170,0	225,0	73,0	12,5	42,6	23,0	35,0	42,6	2,0	2,55	104,0
1.1/2"	40	38,0	121,5	113,0	103,0	77,0	170,0	225,0	82,0	12,5	48,7	28,0	41,0	48,7	3,0	3,30	161,0
2"	50	50,8	138,8	125,0	112,5	86,0	256,0	225,0	94,0	16,0	61,0	28,0	52,5	61,0	3,0	5,20	278,0
2.1/2"	65	63,0	176,5	145,0	147,5	116,0	267,0	415,0	116,0	16,0	73,8	28,0	62,7	73,8	3,0	9,38	460,0

A vazão apresentada em Kv (m³/h) corresponde a um diferencial de pressão (Δp) de 1 bar utilizando água como fluido de teste.

* Para conexão BW, medidas sob consulta.

www.bermo.com.br

Matriz
Blumenau-SC
47 2123-4444
bermo@bermo.com.br

Filiais
Chapecó-SC
49 3322-2177
bermocco@bermo.com.br

Curitiba-PR
41 2111-4344
bermocwb@bermo.com.br

Joinville-SC
47 3435-3635
bermojvl@bermo.com.br

Rio Grande do Sul
51 3464-5159
bermopoa@bermo.com.br

Salvador-BA
71 3512-4488
bermossa@bermo.com.br

São Paulo-SP
11 2505-1500
bermosp@bermo.com.br